

Koła łańcuchowe bez piasty

PLATEWHEEL

3/4" x 7/16"

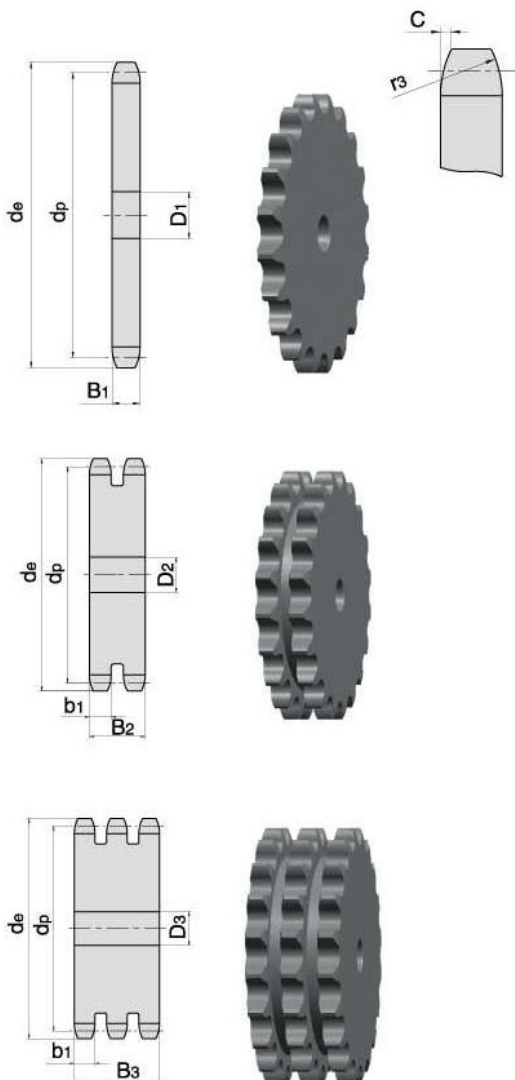
12A-1-2-3, 12B-1-2-3

PLATEWHEEL 3/4" x 7/16"

DIN8187 ISO/R 606
For Chain Acc.to DIN8187 ISO/R 606

PLATEWHEEL	mm
Tooth Radius r_3	19.0
Radius Width C	2.0
Tooth Width B_1	11.1
Tooth Width b_1	10.8
Tooth Width B_2	30.3
Tooth Width B_3	49.8

CHAIN	mm
Pitch	19.05
Internal Width	11.68
Roller Diameter	12.07



Z	d_e	d_p	S	D	T
			D1	D2	D3
8	57.6	49.78	10	12	12
9	62.0	55.70	10	12	12
10	69.0	61.64	10	12	12
11	75.0	67.61	12	14	16
12	81.5	73.61	14	14	16
13	87.5	79.59	14	14	16
14	93.6	85.61	14	14	16
15	99.8	91.63	14	14	16
16	105.5	97.65	14	16	16
17	111.5	103.67	14	16	16
18	118.0	109.71	14	16	16
19	124.2	115.75	14	16	16
20	129.7	121.78	14	16	16
21	136.0	127.82	16	16	20
22	141.0	133.86	16	16	20
23	149.0	139.90	16	16	20
24	153.9	145.94	16	16	20
25	160.0	152.00	16	16	20
26	165.9	158.04	16	20	20
27	172.3	164.09	16	20	20
28	178.0	170.13	16	20	20
29	184.1	176.19	16	20	20
30	190.5	182.25	16	20	20
31	196.3	188.31	20	20	25
32	203.3	194.35	20	20	25
33	209.3	200.40	20	20	25
34	214.6	206.46	20	20	25
35	221.0	212.52	20	20	25
36	226.8	218.58	20	25	25
37	232.9	224.64	20	25	25
38	239.0	230.69	20	25	25
39	245.1	236.75	20	25	25
40	251.3	242.81	20	25	25
41	257.3	248.86	25	25	25
42	264.5	254.92	25	25	25
43	270.5	260.98	25	25	25
44	276.5	267.03	25	25	25
45	282.5	273.09	25	25	25
46	287.9	279.15	25	25	25
47	294.0	285.21	25	25	25
48	300.1	291.27	25	25	25
49	306.2	297.33	25	25	25
50	312.3	303.39	25	25	25
51	318.4	309.45	25	25	25
52	324.5	315.51	25	25	25
53	330.5	321.57	25	25	25
54	336.6	327.63	25	25	25
55	342.7	333.69	25	25	25
56	348.7	339.75	25	25	30
57	355.4	345.81	25	25	30
58	361.5	351.87	25	25	30
59	367.5	357.93	25	25	30
60	373.0	363.99	25	25	30
62	385.1	376.12	25	30	30
64	397.2	388.24	25	30	30
65	403.2	394.30	25	30	30
66	409.3	400.36	30	30	30
68	421.4	412.49	30	30	30
70	433.6	424.61	30	30	30
72	447.0	436.73	30	30	30
75	463.9	454.92	30	30	30
76	469.9	460.98	30	30	30
78	482.1	473.10	30	30	30
80	494.2	485.23	30	30	30
85	524.5	515.54	30	30	30
90	554.8	545.85	30	30	30
95	585.1	576.17	30	30	30
100	515.4	606.48	30	30	30
110	676.1	667.11	30	30	30
114	700.6	691.36	30	30	30
120	736.7	727.74	30	30	30
125	767.0	758.06	30	30	30